

Made in the USA

# MERIT<sup>®</sup>TOOL

## POWER PUSH<sup>®</sup>

CORDLESS DISPENSING PRODUCTS

# 7500 SERIES

**AUTOMOTIVE  
INDUSTRIAL  
ELECTRICAL  
MARINE  
AEROSPACE**



Cordless Dispensing Products • PowerPush<sup>®</sup> NO DRIP-NO STRAIN™ • Ellicottville, NY • 716-542-8341 • sales@meritool.com

**Cordless • Motorized • Ergonomic • Versatile**

### Complete Flexibility

Use almost any manufacturer's material packaged in 50 ml dual cartridges.

Models available for standard (rectangular flange) or new (rounded flange) cartridges, and for 1:1, 2:1, 3:2 or 4:1 mix ratios.

### Speed Control

Dispense even high viscosity material (up to 1 mil. cps) at rates up to 1 ml/sec.

### Rack Retraction Button

### No Strain Trigger

Simply depress the trigger to engage the motor. Eliminate repetitive hand motion!

### True Portability

Work *anywhere* because the **POWER PUSH® 7500** is cordless with an NiMH rechargeable battery pack (or plug it into any standard outlet.)



### Flow Control

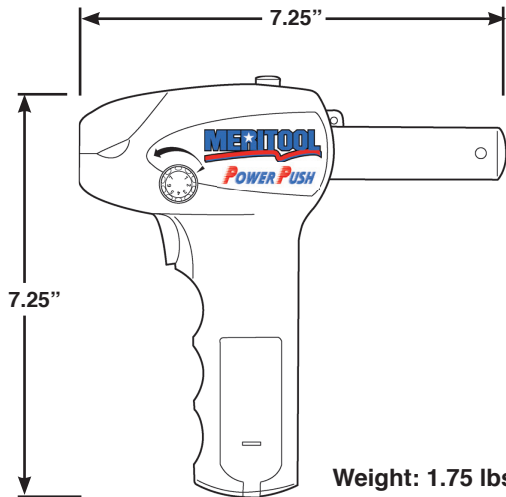
The combination of effortless dispensing and Drip-Free™ operation makes it possible to accurately dispense a straight or curved bead where required.

**The Drip-Free™ knob means virtually no oozing**



*The Drip-Free™ feature significantly reduces or even eliminates oozing from the mix-tip upon release of the trigger.*

### Dimension and Weight



### The **POWER PUSH**® 7500

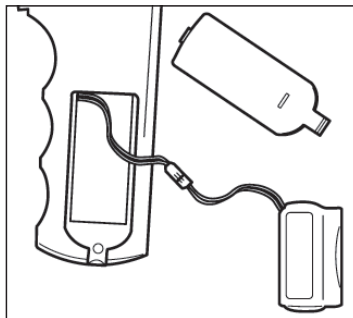
Packs a lot of power and conveniences into a small, ergonomically designed envelope.

The unit is capable of exerting 200 lbs. of force. This means it has no trouble dispensing even high viscosity materials over 1 million cps.

### The **POWER PUSH**® 7500's 1.75 lbs.

Is well-balanced with approximately 2/3 of the weight in the handle, making it easy to hold and maneuver.

### Battery Pack



### The **POWER PUSH**® 7500

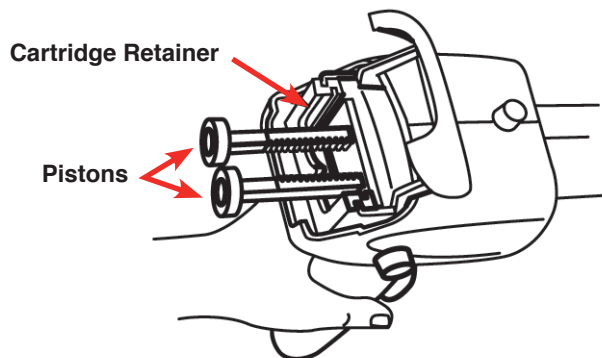
Includes a rechargeable, 7.2 volt, nickel metal hydride (NiMH) battery pack. Since NiMH batteries have no "memory" build-up, they can be charged whenever necessary without having to fully discharge the battery first.

A fully charged battery pack has enough power to dispense approximately thirty (30) cartridges of material. (Amount varies with material viscosity.)

### The **POWER PUSH**® 7500

Ships with an AC adapter allowing unit to be optionally powered from a standard electrical outlet. The AC adapter also double as the recharging device - just plug the PowerPush® 7500 in overnight to fully charge the battery pack.

### Configuration Options



### The **POWER PUSH**® 7500

Can be configured for either standard (rectangular flange) or new (rounded flange) cartridges.

Available options are illustrated on the back page.

When shipped, the unit is configured for a particular style/ratio combination. However the PowerPush® 7500's modular design makes it easy for users to purchase additional retainer/piston combinations as required and adapt the unit for a new cartridge style/ratio pair.

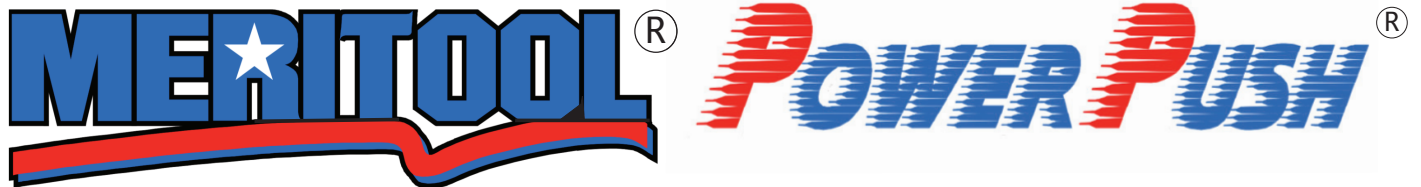
Model #	Cartridge Size	Cartridge Type	Mix Ratio
7500-11S-B	50ml (25 x 25)	S - Type	1 : 1
7500-21S-B	50ml (35 x 15)	S - Type	2 : 1
7500-32S-B	50ml (30 x 20)	S - Type	3 : 2
7500-11A-B	50ml (25 x 25)	A - Type	1 : 1
7500-21A-B	50ml (35 x 15)	A - Type	2 : 1
7500-41A-B	50ml (40 x 10)	A - Type	4 : 1



**S-Type cartridges**  
Rounded, thicker flanges



**A-Type cartridges**  
Rectangular, thinner flanges



## CORDLESS DISPENSING PRODUCTS

The PowerPush® 7500 series is a lightweight, cordless, electric handheld dispenser for 50 ml cartridges. This durable tool makes dispensing two component adhesives smooth and effortless, time after time. As a replacement option to the manual applicator which normally requires exertion of frequent and repetitive force, the PowerPush® 7500 reduces the user's risk for work related musculoskeletal disorders (WMSD's).

A speed control knob allows the user to match the dispense rate to the viscosity of the material and the requirements of the application. The adjustable Drip-Free™ feature virtually eliminates dripping – it's like having "suck back" without the need for air. This unit is capable of exerting 200 lbs of force and can easily dispense high viscosity material over 1 million cps.

Each PowerPush® 7500 dispenser comes complete with rechargeable nickel metal hydride (NiMH) battery pack, and an AC adapter for standard electrical outlet usage. The adapter also serves as a recharging device.

Easy to load, the PowerPush® 7500 can be used with many standard 50 ml cartridge types and mix ratios. This tool is well balanced with approximately 2/3 of the weight in the handle, making it easy to hold and maneuver, reducing the operator's risk of injury.

